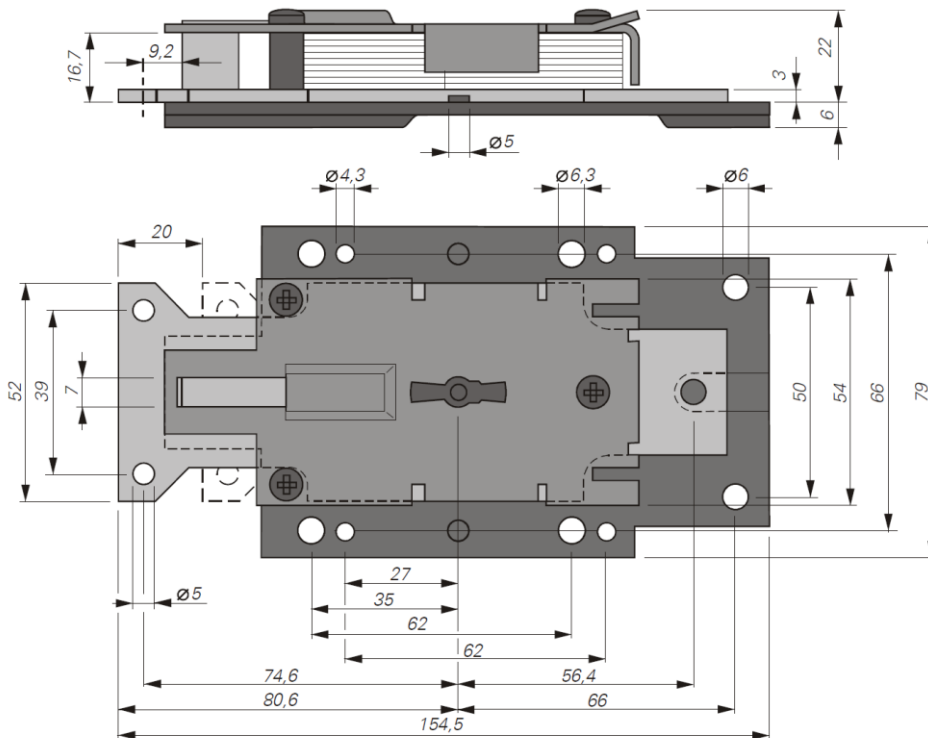


## Mounting instructions for double-bit high security locks S1000



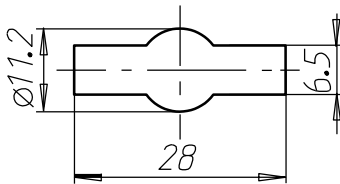
The lock is designed for use with a metal secure-storage unit and has to be mounted using screws size 6, strength category 8.8. The tightening torque applied to tighten the bolts must not exceed 10 Nm. Apply a liquid screws tightening agent to stop the screws becoming loose. The lock can be mounted either horizontally, with the bolt pointing to the left, or vertically, with the bolt pointing up or in as a left version (S1000-li) with the bolt pointing to the right, or vertically, with the bolt pointing up.

The illustration above shows the lock dimensions.

There are two possibilities to release or operate the bolt mechanism of the lock:

1. Bolted-on bolt work mechanism: the bolt work mechanism is screwed to the lock bolt using screws size M5. With this method, the bolt work is operated by means of the lock.
2. The bolt work mechanism is not screwed on: With this method, the lock only Allows the lock bolt to move freely. In other words, the bolt work is operated separately.

- When mounting the lock, please take the necessary precautions, eg. by installing a manganese plate, to make sure the lock is adequately protected against forceful attack. We further recommend to secure the bolt work cover on the back of the door with a small lock to prevent direct access to the lock whenever the door is open.
- As a rule, the lock is opened clockwise and closed anti-clockwise.
- It is also possible to mount the locks so that the keys have to be entered from above or below.
- After entering the key in the mounted lock, be careful not to put too much pressure on the key from the side (risk of key breakage).
- Do not lubricate the lock with oil or grease.
- Prevent welding beads and similar dirt from getting into the lock.



**Breakthroughs in doors:**

The schematic diagram on the left shows the maximum permissible dimensions of the through-hole to be cut in the door for the keyhole. The actual geometry of the hole has to be arranged within the contour shown.

**Bolt strength:**

Under normal conditions of use, the maximum permissible forces acting on the bolt in both directions (push and pull) amount to 5 N. This force may be safely applied for at least 10,000 cycles.

The maximum forces on the bolt (acting in the opening direction) is 3 KN.