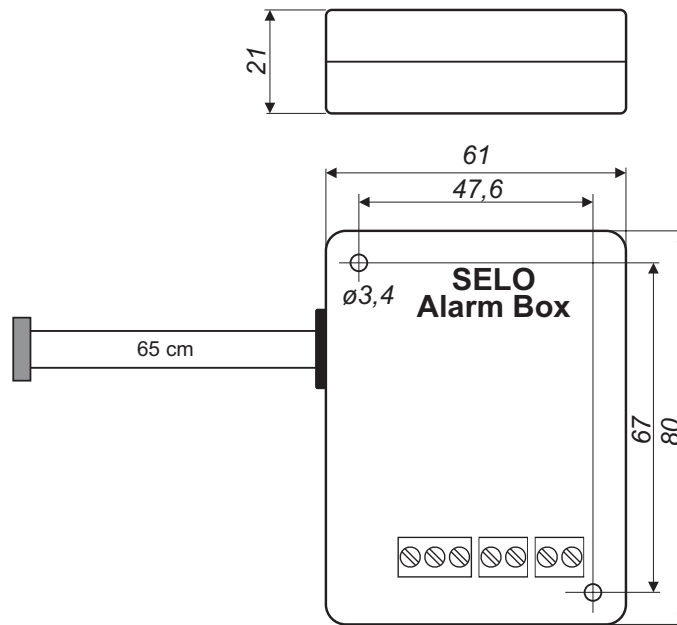
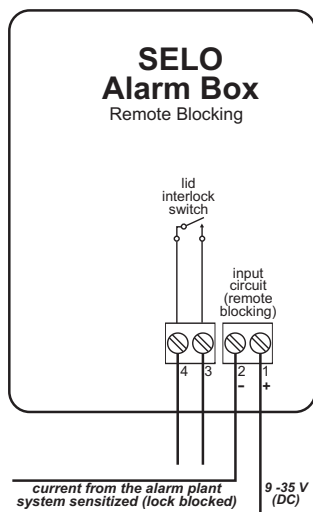


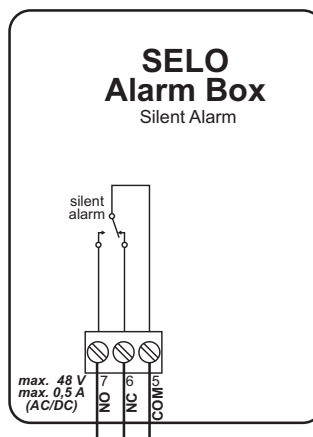
Mounting instruction SELO-alarm box



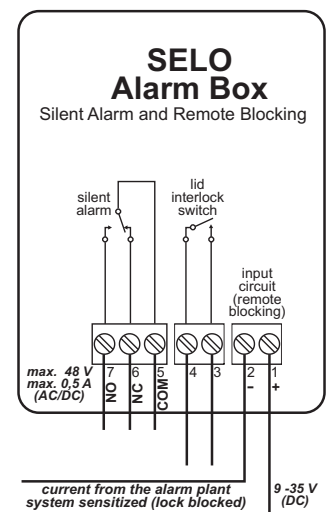
**Version
with Remote Blocking**



**Version
with Silent Alarm**



**Version
with Remote Blocking
and Silent Alarm**



Increasing the last digit of a valid opening code by numerical "1" will activate the Silent Alarm of the alarm box without delay.